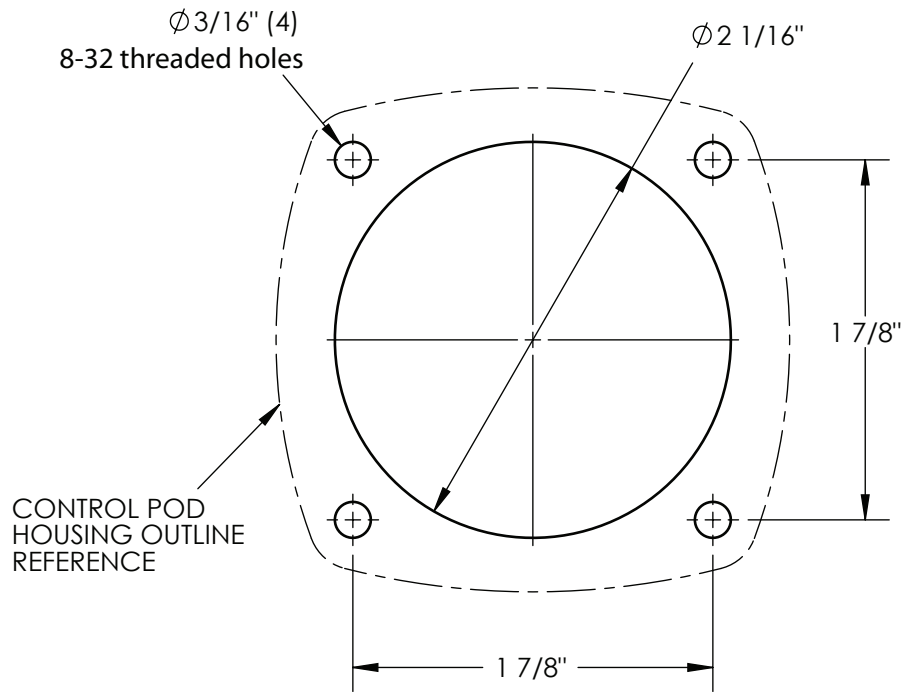




Livorsi Marine, Inc. • livorsi.com
715 Center Street
Grayslake, IL 60030
Ph. (847) 752-2700 Fax (847) 752-2415

VANTAGE VIEW
CONTROL POD TEMPLATE

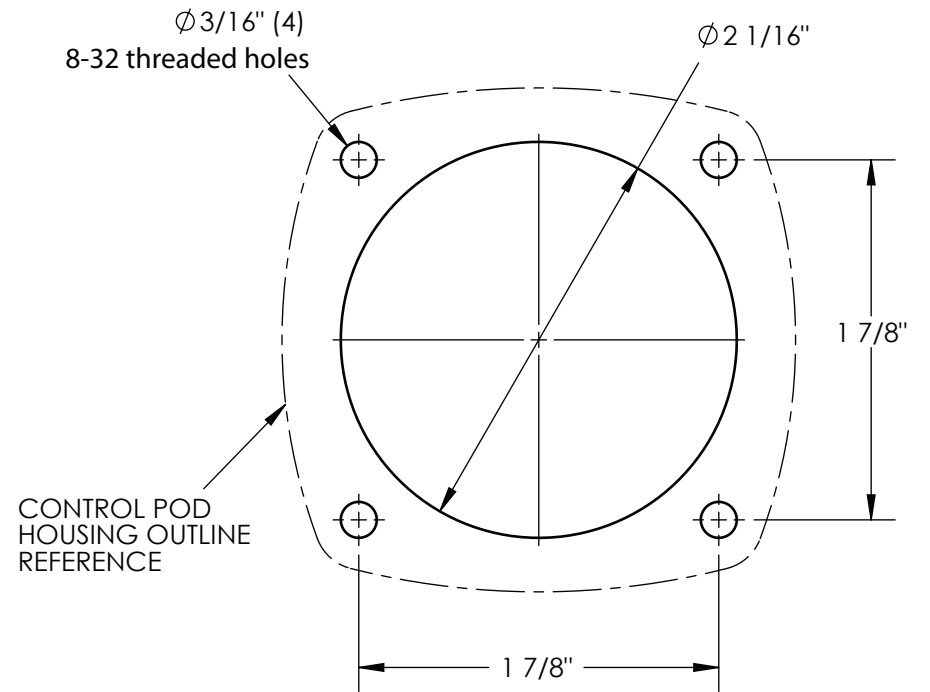


LIT-GA-CANB-VV-CNT-POD-ALL REV A ECO 28610



Livorsi Marine, Inc. • livorsi.com
715 Center Street
Grayslake, IL 60030
Ph. (847) 752-2700 Fax (847) 752-2415

VANTAGE VIEW
CONTROL POD TEMPLATE



LIT-GA-CANB-VV-CNT-POD-ALL REV A ECO 28610